

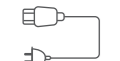






### Quick Start Guide

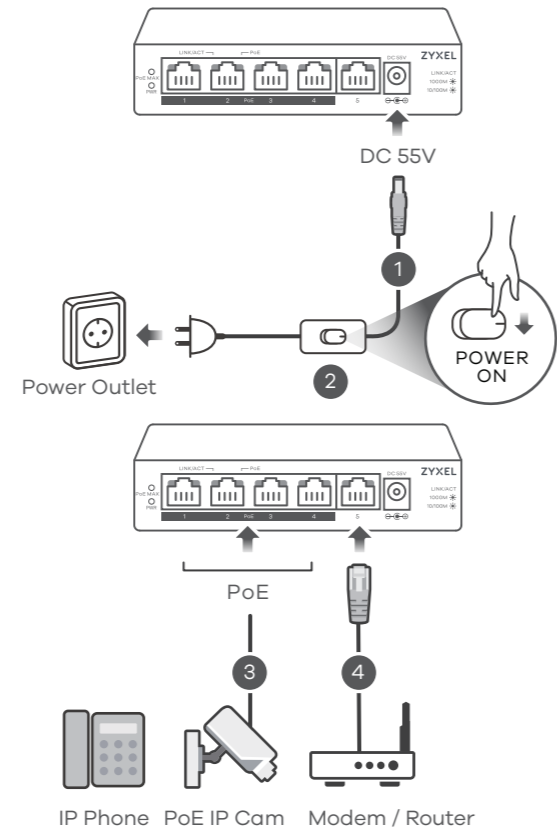
ENGLISH | DEUTSCH | FRANÇAIS | ITALIANO  
 ESPAÑOL | NEDERLANDS | DANSK | NORSK  
 SVENSKA | SUOMI

### Package Contents

-  Switch
-  Power Adapter
-  Power Cord
-  QSG
-  Declaration of Conformity  
Safety Warnings

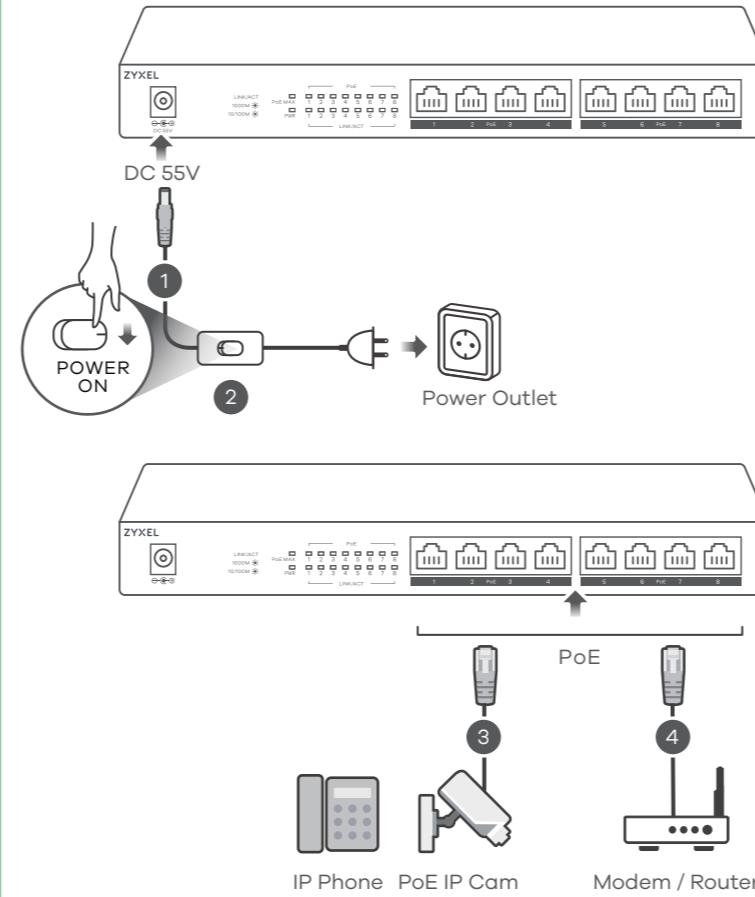
## 1 Hardware Installation

GS1005HP



\* Non-PoE devices can connect to the PoE ports, but PoE power is not supplied to them.

GS1008HP



- EN**
  - Connect to an appropriate power source.
  - Set the power switch to the **ON** position.
  - Connect PoE ports to PoE devices (such as IP Cam and IP phone).
  - Connect to a modem or router that has internet access.
- DE**
  - An eine geeignete Stromquelle anschließen.
  - Stellen Sie den Ein/Aus-Schalter in die Position **ON**.
  - Verbinden Sie PoE Ports mit den PoE Geräten (z.B. IP Cam und IP Telefon).
  - An ein Modem oder einen Router mit Internetanschluss anschließen.
- FR**
  - Connectez-vous à une source d'alimentation appropriée.
  - Mettez l'interrupteur d'alimentation sur la position **ON** (Marche).
  - Connectez les ports PoE aux appareils PoE (tels que Cam IP et téléphone IP).
  - Connectez-vous à un modem ou un routeur ayant accès à Internet.
- IT**
  - Collegare ad una fonte di alimentazione appropriata.
  - Impostare l'interruttore di alimentazione nella posizione **ON**.
  - Collegare le porte PoE ai dispositivi PoE (ad esempio IP Cam e telefono IP).
  - Connettersi a un modem o router con accesso Internet.
- ES**
  - Conecte a una fuente de corriente apropiada.
  - Coloque el interruptor de corriente en la posición de encendido.
  - Conecte los puertos PoE a dispositivos PoE (como IP Cam o IP phone).
  - Conectar a un módem o router con acceso a Internet.

- EN**
  - Connect to an appropriate power source.
  - Set the power switch to the **ON** position.
  - Connect PoE ports to PoE devices (such as IP Cam and IP phone).
  - Connect to a modem or router that has internet access.
- DE**
  - An eine geeignete Stromquelle anschließen.
  - Stellen Sie den Ein/Aus-Schalter in die Position **ON**.
  - Verbinden Sie PoE Ports mit den PoE Geräten (z.B. IP Cam und IP Telefon).
  - An ein Modem oder einen Router mit Internetanschluss anschließen.
- FR**
  - Connectez-vous à une source d'alimentation appropriée.
  - Mettez l'interrupteur d'alimentation sur la position **ON** (Marche).
  - Connectez les ports PoE aux appareils PoE (tels que Cam IP et téléphone IP).
  - Connectez-vous à un modem ou un routeur ayant accès à Internet.
- IT**
  - Collegare ad una fonte di alimentazione appropriata.
  - Impostare l'interruttore di alimentazione nella posizione **ON**.
  - Collegare le porte PoE ai dispositivi PoE (ad esempio IP Cam e telefono IP).
  - Connettersi a un modem o router con accesso Internet.
- ES**
  - Conecte a una fuente de corriente apropiada.
  - Coloque el interruptor de corriente en la posición de encendido.
  - Conecte los puertos PoE a dispositivos PoE (como IP Cam o IP phone).
  - Conectar a un módem o router con acceso a Internet.

### LEDs

PWR	Green	● On - Power on
LINK/ACT	Amber	■ On - 10/100 Mbps connection ready ⚡ Blinking - Data transmitting
	Green	■ On - 1000 Mbps connection ready ⚡ Blinking - Data transmitting
PoE	Green	■ On - PoE enabled ■ Off - PoE disabled or not supplied
PoE MAX	Amber	● On - More than 50W supplied and approaching maximum ● Off - Less than 50W supplied



## Warranty Card

Thank you for purchasing a Zyxel product. Zyxel has a reputation for delivering high quality, high performance products and services to our customers. We recommend that you now visit the Zyxel website and register your product online. This will mean you can receive the latest firmware, drivers and product related information. If you still have further questions or enquiries related to the product, please contact our subsidiaries worldwide. Please note that warranty terms may vary by region. Full detailed information is available on our website, here: [http://www.zyxel.com/support/warranty\\_information.shtml](http://www.zyxel.com/support/warranty_information.shtml)

### Purchase Information

Zyxel Product Name: \_\_\_\_\_

Hardware Serial Number: \_\_\_\_\_

Date of Purchase: \_\_\_\_\_

(In certain countries, the warranty will be validated with seller's signature and stamp):

### Support Information

- North America USA**  
 ☎ + 1 800 255 4101  
 ✉ [support@zyxel.com](mailto:support@zyxel.com)
- France**  
 ☎ +33 (0) 892 692 610  
 ✉ [support@zyxel.fr](mailto:support@zyxel.fr)
- UK**  
 ☎ + 44 (0) 118 912 1700  
 ✉ [support@zyxel.co.uk](mailto:support@zyxel.co.uk)
- Italy**  
 ☎ + 39 011 2308000  
 ✉ [support@zyxel.it](mailto:support@zyxel.it)
- Germany**  
 ☎ + 49 (0) 2405 69 09 69  
 ✉ [support@zyxel.de](mailto:support@zyxel.de)
- Spain**  
 ☎ + 34 911 792 100  
 ✉ [soporte@zyxel.es](mailto:soporte@zyxel.es)

See the User's Guide at [www.zyxel.com](http://www.zyxel.com) for more information, including customer support and safety warnings.

**EU Importer**  
 Zyxel Communications A/S  
 Gladsaxevej 378, 2. th. 2860 Søborg, Denmark  
<http://www.zyxel.dk>



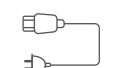


**US Importer**  
 Zyxel Communications, Inc  
 1130 North Miller Street Anaheim, CA 92806-2001  
<http://www.us.zyxel.com>



### Quick Start Guide

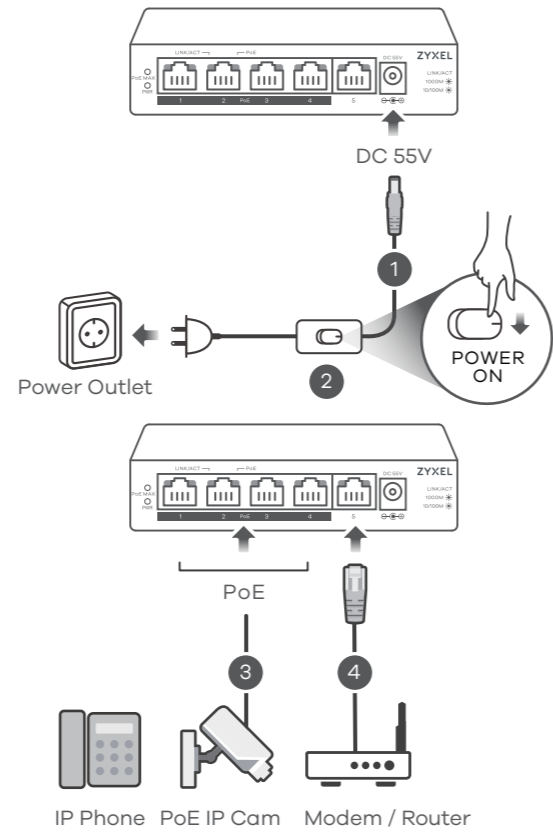
ENGLISH | DEUTSCH | FRANÇAIS | ITALIANO  
 ESPAÑOL | NEDERLANDS | DANSK | NORSK  
 SVENSKA | SUOMI

### Package Contents

-  Switch
-  Power Adapter
-  Power Cord
-  QSG
-  Declaration of Conformity  
Safety Warnings

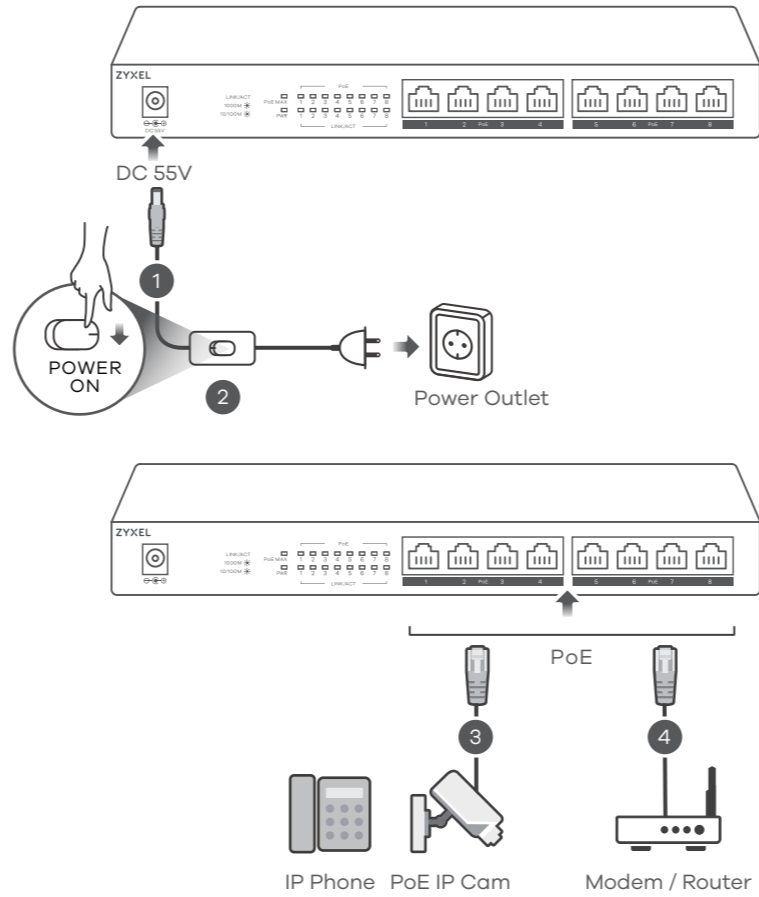
## 1 Hardware Installation

GS1005HP



\* Non-PoE devices can connect to the PoE ports, but PoE power is not supplied to them.

GS1008HP



- NL** ① Sluit aan op een geschikte stroombron.
- ② Zet de schakelaar op 'ON (AAN)'.  
③ Sluit PoE poorten aan op PoE apparaten (zoals IP Cam en IP phone).
- ④ Sluit aan op een modem of router met internetverbinding.
- DK** ① Tilslut til en relevant strømkilde.
- ② Sæt strømkontakten til **ON**-positionen.
- ③ Tilslut PoE-port til PoE-enheder (så som IP-kamera og IP-telefon).
- ④ Tilslut til et modem eller router der har internetadgang.
- NO** ① Koble til en hensiktsmessig strømkilde.
- ② Sett strømbryteren i påslått posisjon.
- ③ Koble PoE-port til PoE-enheter (for eksempel IP Cam og IP-telefon).
- ④ Koble til et modem eller en ruter som har Internett-tilgang.
- SE** ① Anslut till en lämplig strömkälla.
- ② Konfigurera strömbrytaren till påslagen position.
- ③ Anslut PoE-portar till PoE-enheter (såsom IP Cam och IP-telefoni).
- ④ Anslut till ett modem eller en router som har internetåtkomst.
- FI** ① Liitä laite yhteensopivaan virtalähteeseen.
- ② Aseta virtakytkin **ON**-asentoon.
- ③ Liitä PoE-portit PoE-laitteisiin, kuten IP-kameraan tai IP-puhelimeen.
- ④ Liitä laite modeemiin tai reitittimeen, josta on Internet-yhteys.

- NL** ① Sluit aan op een geschikte stroombron.
- ② Zet de schakelaar op 'ON (AAN)'.  
③ Sluit PoE poorten aan op PoE apparaten (zoals IP Cam en IP phone).
- ④ Sluit aan op een modem of router met internetverbinding.
- DK** ① Tilslut til en relevant strømkilde.
- ② Sæt strømkontakten til **ON**-positionen.
- ③ Tilslut PoE-port til PoE-enheder (så som IP-kamera og IP-telefon).
- ④ Tilslut til et modem eller router der har internetadgang.
- NO** ① Koble til en hensiktsmessig strømkilde.
- ② Sett strømbryteren i påslått posisjon.
- ③ Koble PoE-port til PoE-enheter (for eksempel IP Cam og IP-telefon).
- ④ Koble til et modem eller en ruter som har Internett-tilgang.
- SE** ① Anslut till en lämplig strömkälla.
- ② Konfigurera strömbrytaren till påslagen position.
- ③ Anslut PoE-portar till PoE-enheter (såsom IP Cam och IP-telefoni).
- ④ Anslut till ett modem eller en router som har internetåtkomst.
- FI** ① Liitä laite yhteensopivaan virtalähteeseen.
- ② Aseta virtakytkin **ON**-asentoon.
- ③ Liitä PoE-portit PoE-laitteisiin, kuten IP-kameraan tai IP-puhelimeen.
- ④ Liitä laite modeemiin tai reitittimeen, josta on Internet-yhteys.

### LEDs

PWR	Green	● On - Power on
LINK/ACT	Amber	■ On - 10/100 Mbps connection ready ⚡ Blinking - Data transmitting
	Green	■ On - 1000 Mbps connection ready ⚡ Blinking - Data transmitting
PoE	Green	■ On - PoE enabled ■ Off - PoE disabled or not supplied
PoE MAX	Amber	● On - More than 50W supplied and approaching maximum ● Off - Less than 50W supplied



## Warranty Card

Thank you for purchasing a Zyxel product. Zyxel has a reputation for delivering high quality, high performance products and services to our customers. We recommend that you now visit the Zyxel website and register your product online. This will mean you can receive the latest firmware, drivers and product related information. If you still have further questions or enquiries related to the product, please contact our subsidiaries worldwide. Please note that warranty terms may vary by region. Full detailed information is available on our website, here: [http://www.zyxel.com/support/warranty\\_information.shtml](http://www.zyxel.com/support/warranty_information.shtml)

### Purchase Information

Zyxel Product Name: \_\_\_\_\_

Hardware Serial Number: \_\_\_\_\_

Date of Purchase: \_\_\_\_\_

(In certain countries, the warranty will be validated with seller's signature and stamp):

### Support Information

- Netherlands**  
 ☎ + 31 (0) 88-00029112  
 ✉ [support@zyxel.nl](mailto:support@zyxel.nl)
- Finland**  
 ☎ + 358 9 4780 8411  
 ✉ [teknisk@zyxel.fi](mailto:teknisk@zyxel.fi)
- Denmark**  
 ☎ + 45 39 55 07 85  
 ✉ [support@zyxel.dk](mailto:support@zyxel.dk)
- Norway**  
 ☎ + 47 22 80 61 80  
 ✉ [teknisk@zyxel.no](mailto:teknisk@zyxel.no)
- Sweden**  
 ☎ + 46 8 557 760 60  
 ✉ [support@zyxel.se](mailto:support@zyxel.se)

See the User's Guide at [www.zyxel.com](http://www.zyxel.com) for more information, including customer support and safety warnings.

**EU Importer**  
 Zyxel Communications A/S  
 Gladsaxevej 378, 2. th. 2860 Søborg, Denmark  
<http://www.zyxel.dk>


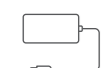
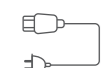
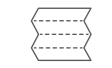

**US Importer**  
 Zyxel Communications, Inc  
 1130 North Miller Street Anaheim, CA 92806-2001  
<http://www.us.zyxel.com>



### Quick Start Guide

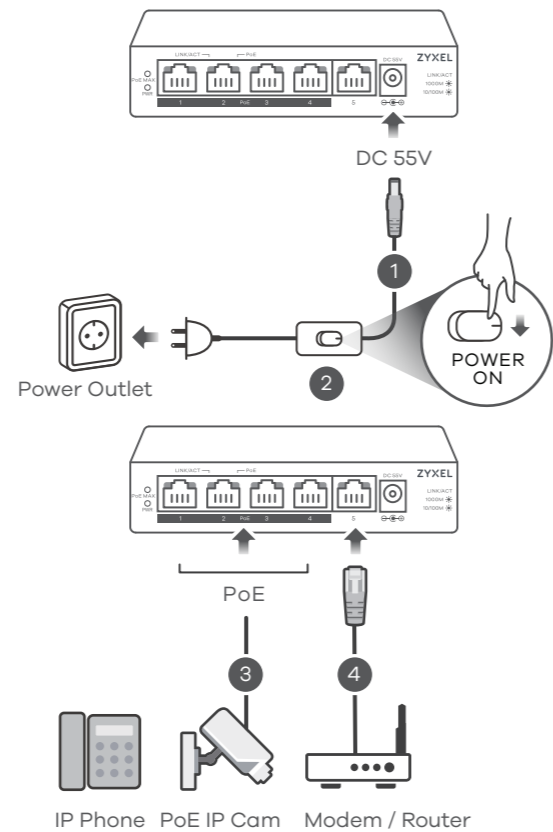
ČEŠTINA | SLOVENČINA | POLSKI | ROMÂNĂ  
MAGYAR | SLOVENŠČINA | БЪЛГАРСКИ | TÜRK  
РУССКИЙ | ภาษาไทย | 繁體中文

### Package Contents

-  Switch
-  Power Adapter
-  Power Cord
-  QSG
-  Declaration of Conformity  
Safety Warnings

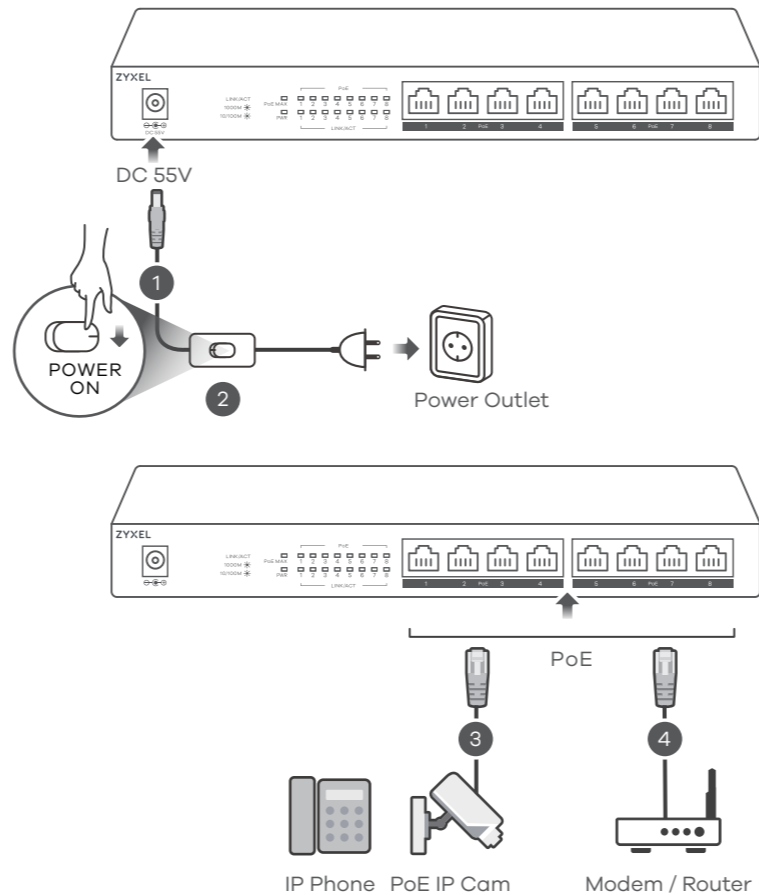
## 1 Hardware Installation

GS1005HP



\* Non-PoE devices can connect to the PoE ports, but PoE power is not supplied to them.

GS1008HP



- CZ**
- 1 Připojte do odpovídajícího zdroje energie.
  - 2 Zapněte síťový vypínač.
  - 3 Připojte porty PoE do zařízení PoE (například IP Cam a IP telefon).
  - 4 Zapojte do modemu nebo směrovače s přístupem k internetu.
- SK**
- 1 Pripojte k vhodnému zdroju napájania.
  - 2 Hlavný vypínač prepnite do polohy zapnutia.
  - 3 Porty PoE prepojte so zariadeniami PoE (ako je IP kamera a IP telefón).
  - 4 Pripojte k modemu alebo smerovaču s prístupom do internetu.
- PL**
- 1 Podłącz do odpowiedniego źródła zasilania.
  - 2 Ustaw wyłącznik w położeniu włączenia.
  - 3 Połącz porty PoE z urządzeniami PoE (takimi jak kamera internetowa czy telefon internetowy).
  - 4 Podłącz do modemu lub routera z dostępem do Internetu.
- RO**
- 1 Conectați la o sursă de alimentare corespunzătoare.
  - 2 Setați întrerupătorul general în poziția on (pornit).
  - 3 Conectați porturile PoE de la la dispozitivele PoE (cum ar fi Cam IP și telefonul IP).
  - 4 Conectați la un modem sau router care este prevăzut cu acces la internet.
- HU**
- 1 Csatlakoztasson egy megfelelő áramforrást.
  - 2 A készülék főkapcsolóját állítsa bekapcsolt állapotba.
  - 3 Csatlakoztassa az PoE portokat PoE készülékekhez (pl. IP kamerához vagy IP telefonhoz).
  - 4 Csatlakoztasson egy internetkapcsolattal rendelkező modemet vagy útválasztót.

- CZ**
- 1 Připojte do odpovídajícího zdroje energie.
  - 2 Zapněte síťový vypínač.
  - 3 Připojte porty PoE do zařízení PoE (například IP Cam a IP telefon).
  - 4 Zapojte do modemu nebo směrovače s přístupem k internetu.
- SK**
- 1 Pripojte k vhodnému zdroju napájania.
  - 2 Hlavný vypínač prepnite do polohy zapnutia.
  - 3 Porty PoE prepojte so zariadeniami PoE (ako je IP kamera a IP telefón).
  - 4 Pripojte k modemu alebo smerovaču s prístupom do internetu.
- PL**
- 1 Podłącz do odpowiedniego źródła zasilania.
  - 2 Ustaw wyłącznik w położeniu włączenia.
  - 3 Połącz porty PoE z urządzeniami PoE (takimi jak kamera internetowa czy telefon internetowy).
  - 4 Podłącz do modemu lub routera z dostępem do Internetu.
- RO**
- 1 Conectați la o sursă de alimentare corespunzătoare.
  - 2 Setați întrerupătorul general în poziția on (pornit).
  - 3 Conectați porturile PoE de la la dispozitivele PoE (cum ar fi Cam IP și telefonul IP).
  - 4 Conectați la un modem sau router care este prevăzut cu acces la internet.
- HU**
- 1 Csatlakoztasson egy megfelelő áramforrást.
  - 2 A készülék főkapcsolóját állítsa bekapcsolt állapotba.
  - 3 Csatlakoztassa az PoE portokat PoE készülékekhez (pl. IP kamerához vagy IP telefonhoz).
  - 4 Csatlakoztasson egy internetkapcsolattal rendelkező modemet vagy útválasztót.

### LEDs

PWR	Green	● On - Power on
LINK/ACT	Amber	■ On - 10/100 Mbps connection ready ● Blinking - Data transmitting
	Green	■ On - 1000 Mbps connection ready ● Blinking - Data transmitting
PoE	Green	■ On - PoE enabled ■ Off - PoE disabled or not supplied
		PoE MAX



## Warranty Card

Thank you for purchasing a Zyxel product. Zyxel has a reputation for delivering high quality, high performance products and services to our customers. We recommend that you now visit the Zyxel website and register your product online. This will mean you can receive the latest firmware, drivers and product related information. If you still have further questions or enquiries related to the product, please contact our subsidiaries worldwide. Please note that warranty terms may vary by region. Full detailed information is available on our website, here: [http://www.zyxel.com/support/warranty\\_information.shtml](http://www.zyxel.com/support/warranty_information.shtml)

### Purchase Information

Zyxel Product Name: \_\_\_\_\_

Hardware Serial Number: \_\_\_\_\_

Date of Purchase: \_\_\_\_\_

(In certain countries, the warranty will be validated with seller's signature and stamp):

### Support Information

**Czech**  
☎ + 420 241 774 665  
✉ [support@cz.zyxel.com](mailto:support@cz.zyxel.com)

**Hungary**  
☎ + 36 1 848 0690  
✉ [support@zyxel.hu](mailto:support@zyxel.hu)

**Slovakia**  
☎ + 421 220 861 847  
✉ [soporte@sk.zyxel.com](mailto:soporte@sk.zyxel.com)

**Poland**  
☎ + 48 (22) 333 8250  
✉ [support@pl.zyxel.com](mailto:support@pl.zyxel.com)

**Romania**  
✉ [info@ro.zyxel.com](mailto:info@ro.zyxel.com)

See the User's Guide at [www.zyxel.com](http://www.zyxel.com) for more information, including customer support and safety warnings.

**EU Importer**  
Zyxel Communications A/S  
Gladsaxevej 378, 2. th. 2860 Søborg, Denmark  
<http://www.zyxel.dk>

**US Importer**  
Zyxel Communications, Inc  
1130 North Miller Street Anaheim, CA 92806-2001  
<http://www.us.zyxel.com>



### Quick Start Guide

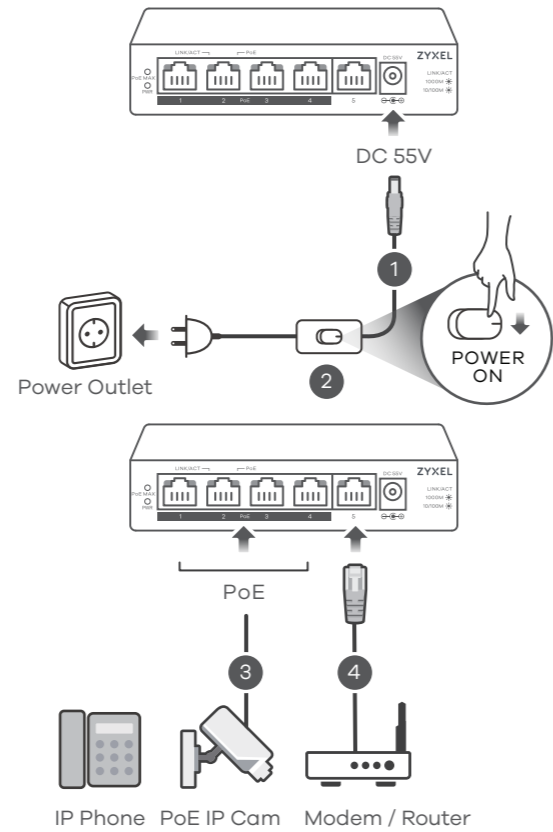
ČEŠTINA | SLOVENČINA | POLSKI | ROMÂNĂ  
MAGYAR | SLOVENŠČINA | БЪЛГАРСКИ | TÜRK  
РУССКИЙ | ภาษาไทย | 繁體中文

### Package Contents

- Switch
- Power Adapter
- Power Cord
- QSG
- Declaration of Conformity  
Safety Warnings

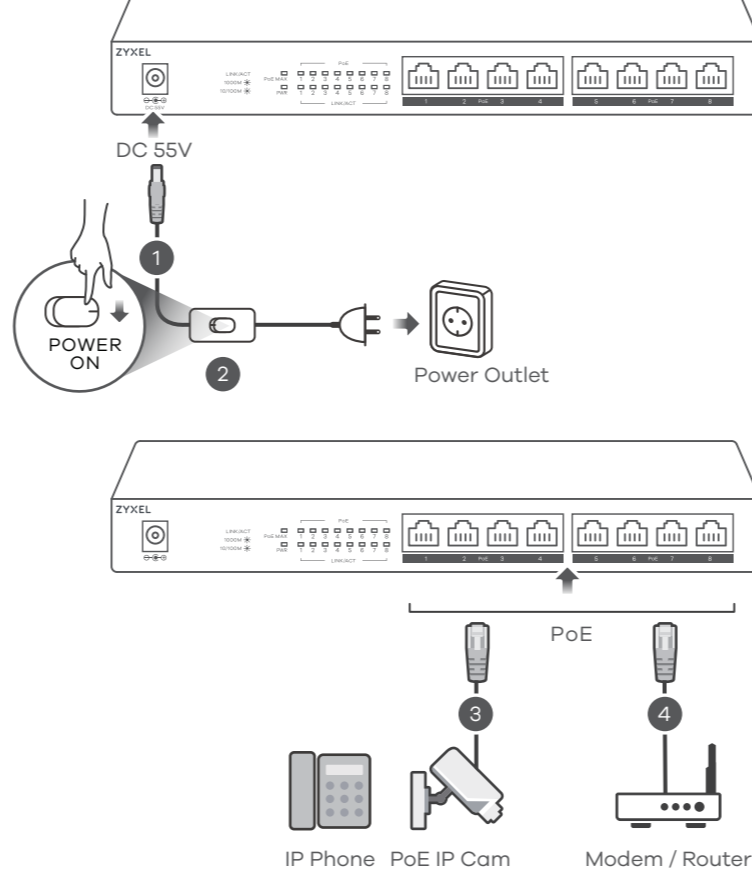
## 1 Hardware Installation

GS1005HP



\* Non-PoE devices can connect to the PoE ports, but PoE power is not supplied to them.

GS1008HP



- SL**
  - 1 Priključite v ustrezno električno vtičnico.
  - 2 Preklopite stikalo vkl./izk. na vklop ("ON").
  - 3 Povežite vrata PoE na naprave PoE (kot sta IP Cam in telefon IP).
  - 4 Povežite na modem ali usmerjevalnik, ki ima internetni dostop.
- BG**
  - 1 Свържете към подходящо захранване.
  - 2 Натиснете превключвателя за захранване в положение вкл.
  - 3 Свържете PoE портове към PoE устройства (като IP КАМЕРА и IP телефон).
  - 4 Свържете към модел или рутер, който има интернет достъп.
- TR**
  - 1 Uygun bir güç kaynağına bağlayın.
  - 2 Güç anahtarını **ON (AÇIK)** konumuna ayarlayın.
  - 3 PoE bağlantı noktalarına PoE aygıtları (IP kamera ve IP telefon gibi) bağlayın.
  - 4 Internet erişimi olan bir modeme veya yönlendiriciye bağlayın.
- RU**
  - 1 Подключите кабель питания
  - 2 Включите питание на устройстве - положение ON
  - 3 Подсоедините PoE-устройства к PoE-портам (камеры, телефоны)
  - 4 Присоедините модем или маршрутизатор, подключенный к Интернет
- TH**
  - 1 เชื่อมต่อไปยังแหล่งจ่ายไฟที่เหมาะสม
  - 2 เปิดปุ่มพาวเวอร์ไปที่ตำแหน่งเปิด
  - 3 เชื่อมต่อพอร์ต PoE ไปที่อุปกรณ์ PoE (เช่น กล้อง IP Cam และโทรศัพท์ IP)
  - 4 เชื่อมต่อกับโมเด็มหรือเราเตอร์ที่มีการเข้าถึงอินเทอร์เน็ต
- TW**
  - 1 連接至適當的電源插座。
  - 2 按下電源鍵以開啟交換器。
  - 3 將 PoE 埠接上 PoE 受電設備(例如: 網路攝影機和網路電話)。
  - 4 連接至可存取網際網路的數據機或路由器。

- SL**
  - 1 Priključite v ustrezno električno vtičnico.
  - 2 Preklopite stikalo vkl./izk. na vklop ("ON").
  - 3 Povežite vrata PoE na naprave PoE (kot sta IP Cam in telefon IP).
  - 4 Povežite na modem ali usmerjevalnik, ki ima internetni dostop.
- BG**
  - 1 Свържете към подходящо захранване.
  - 2 Натиснете превключвателя за захранване в положение вкл.
  - 3 Свържете PoE портове към PoE устройства (като IP КАМЕРА и IP телефон).
  - 4 Свържете към модел или рутер, който има интернет достъп.
- TR**
  - 1 Uygun bir güç kaynağına bağlayın.
  - 2 Güç anahtarını **ON (AÇIK)** konumuna ayarlayın.
  - 3 PoE bağlantı noktalarına PoE aygıtları (IP kamera ve IP telefon gibi) bağlayın.
  - 4 Internet erişimi olan bir modeme veya yönlendiriciye bağlayın.
- RU**
  - 1 Подключите кабель питания
  - 2 Включите питание на устройстве - положение ON
  - 3 Подсоедините PoE-устройства к PoE-портам (камеры, телефоны)
  - 4 Присоедините модем или маршрутизатор, подключенный к Интернет
- TH**
  - 1 เชื่อมต่อไปยังแหล่งจ่ายไฟที่เหมาะสม
  - 2 เปิดปุ่มพาวเวอร์ไปที่ตำแหน่งเปิด
  - 3 เชื่อมต่อพอร์ต PoE ไปที่อุปกรณ์ PoE (เช่น กล้อง IP Cam และโทรศัพท์ IP)
  - 4 เชื่อมต่อกับโมเด็มหรือเราเตอร์ที่มีการเข้าถึงอินเทอร์เน็ต
- TW**
  - 1 連接至適當的電源插座。
  - 2 按下電源鍵以開啟交換器。
  - 3 將 PoE 埠接上 PoE 受電設備(例如: 網路攝影機和網路電話)。
  - 4 連接至可存取網際網路的數據機或路由器。

### LEDs

PWR	Green	● On - Power on
LINK/ACT	Amber	■ On - 10/100 Mbps connection ready ⚡ Blinking - Data transmitting
	Green	■ On - 1000 Mbps connection ready ⚡ Blinking - Data transmitting
PoE	Green	■ On - PoE enabled ■ Off - PoE disabled or not supplied
PoE MAX	Amber	● On - More than 50W supplied and approaching maximum ● Off - Less than 50W supplied

### Техническая поддержка

Если у вас возникли проблемы с продуктом, то сначала попробуйте найти ее решение в нашей Базе знаний! Если вы не смогли решить проблему с помощью Базы знаний, то отправьте нам, пожалуйста, запрос. Команда технической поддержки Zyxel свяжется с вами и поможет устранить проблему.

#### База знаний Zyxel и Портал поддержки



#### Список сервисных центров Zyxel



### Телефонная поддержка

Просьба позвонить нашим специалистам. Обычно мы отвечаем в течение максимум трех минут. Однако в моменты высокой загрузки это может занять больше времени. Время работы поддержки с 9:00 до 17:00 часов по Московскому времени (GTM+3).

Армения +374 604 62 831 Беларусь +375 25 608 7417  
Казахстан +7 727 350 5658 Грузия +995 322 193 547  
Россия +7 499 705 6107 Украина +380 89 323 9970

По вопросам закупки оборудования звоните +7 495 775 7300 или +7 499 705 6106



## Warranty Card

Thank you for purchasing a Zyxel product. Zyxel has a reputation for delivering high quality, high performance products and services to our customers. We recommend that you now visit the Zyxel website and register your product online. This will mean you can receive the latest firmware, drivers and product related information. If you still have further questions or enquiries related to the product, please contact our subsidiaries worldwide. Please note that warranty terms may vary by region. Full detailed information is available on our website, here: [http://www.zyxel.com/support/warranty\\_information.shtml](http://www.zyxel.com/support/warranty_information.shtml)

### Purchase Information

Zyxel Product Name: \_\_\_\_\_

Hardware Serial Number: \_\_\_\_\_

Date of Purchase: \_\_\_\_\_

(In certain countries, the warranty will be validated with seller's signature and stamp):

### Support Information

**Bulgaria**  
✉ [support@zyxel.bg](mailto:support@zyxel.bg)

**Turkey**  
☎ + 90 212 444 11 50  
✉ [bilgi@Zyxel.com.tr](mailto:bilgi@Zyxel.com.tr)

**Thailand**  
☎ + 66 2831 5315  
✉ [support@zyxel.co.th](mailto:support@zyxel.co.th)

**Taiwan**  
☎ + 886 2 2739 9889  
✉ [retail@zyxel.com.tw](mailto:retail@zyxel.com.tw)

See the User's Guide at [www.zyxel.com](http://www.zyxel.com) for more information, including customer support and safety warnings.

**EU Importer**  
Zyxel Communications A/S  
Gladsaxevej 378, 2. th. 2860 Søborg, Denmark  
<http://www.zyxel.dk>

**US Importer**  
Zyxel Communications, Inc  
1130 North Miller Street Anaheim, CA 92806-2001  
<http://www.us.zyxel.com>